



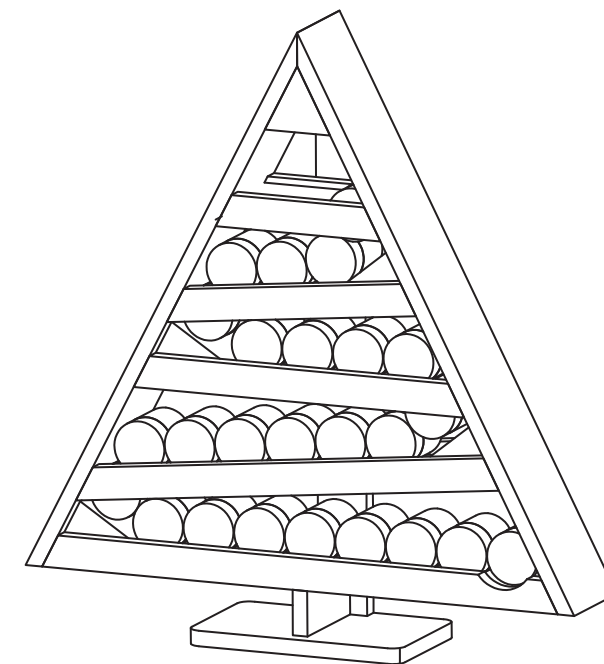
Tree of Glee Instructions

Advent calendars help count down the days until Christmas, with a surprise gift to open each day leading up to it in December. Place small gifts into each cannister such as a piece of candy, a couple of coins, a small toy, notes with fun holiday activities or ways to celebrate and honor the season. Make sure the lids are pressed down tightly to keep the contents secure.

Each cannister has a number on the lid representing the date in December. Place the cannisters into the advent tree with 1 at the bottom, then 2 and 3, counting up to 25 at the top. Each day in December, starting with December 1st, pull one of the cannisters from the tree at the bottom right, allowing all of the other cannisters to roll down until the next day is in place.

Families can pick a time of day each day in December to gather and count down the days together. Use the Tree of Glee year after year and create a treasured holiday tradition in your family.

TREE OF GLEE Assembly Instructions



P.O. Box 3054
City of Industry CA 91744
T: 626.333.4222
E: info@asweets.com
wonderandwise.com



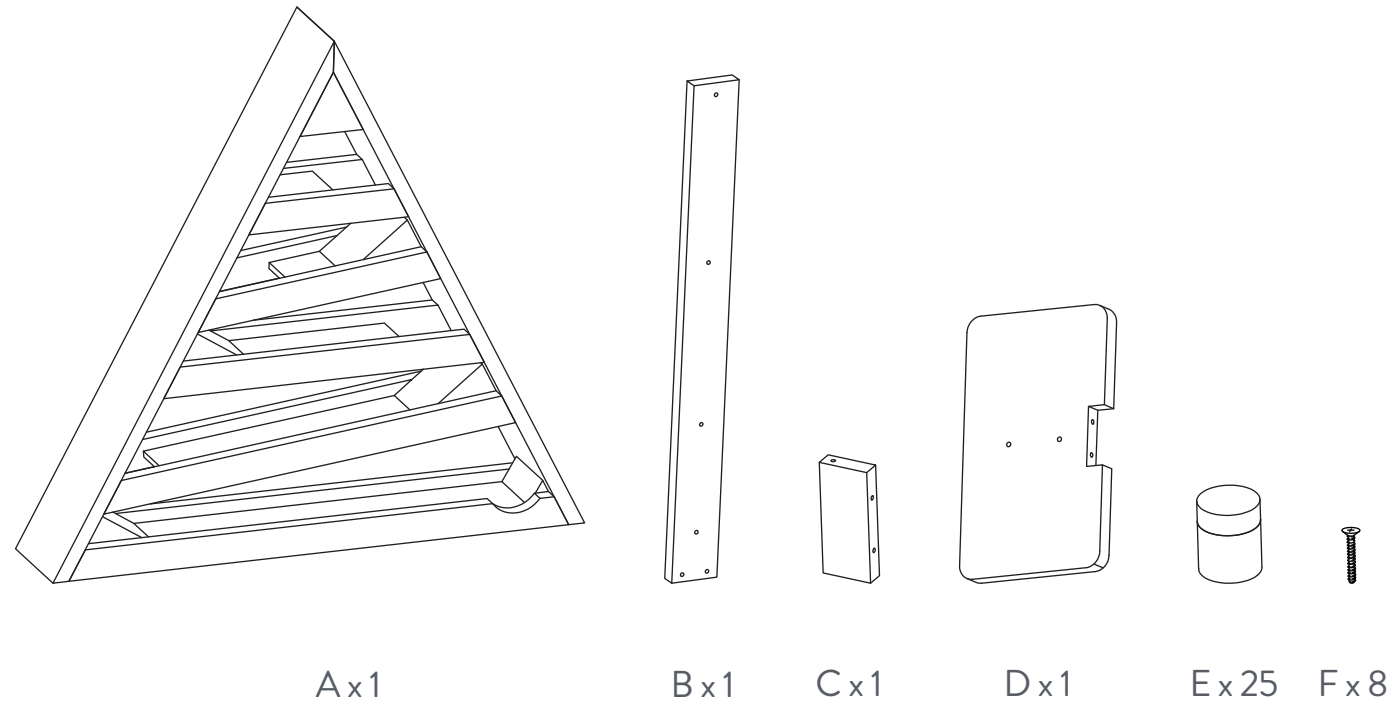
⚠ WARNING!
Not suitable for children under 36 months. Small parts.
Choking hazard

⚠ WARNING!
Adult assembly recommended. Discard all packaging after assembly. Keep away from fire.

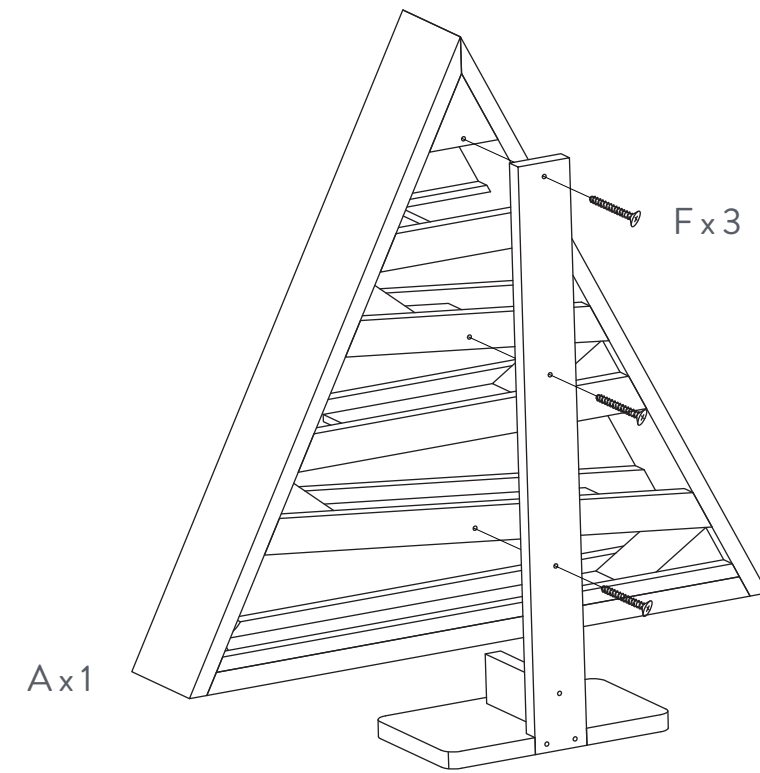
⚠ AVERTISSEMENT!
Danger d'étouffement. Montage de l'article à effectuer par un adulte. Retirer tous les emballages avant de donner le jouet à votre enfants. Les détails et coloris du contenu peuvent varier. Informations à conserver. Attention! Tenir loin du feu!

⚠ ADVERTENCIA!
Peligro de asfixia. El montaje debe ser realizado por un adulto. Retire todo el embalaje antes de dar el juguete al niño. Los detalles y los colores pueden ser diferentes de los contenidos. Por favor guarde las instrucciones. Atención! Mantener lejos del fuego!

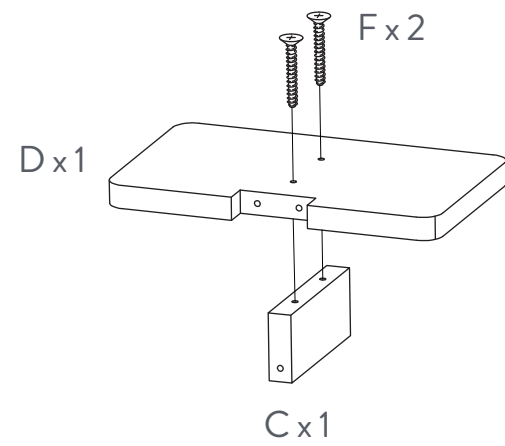
Parts:



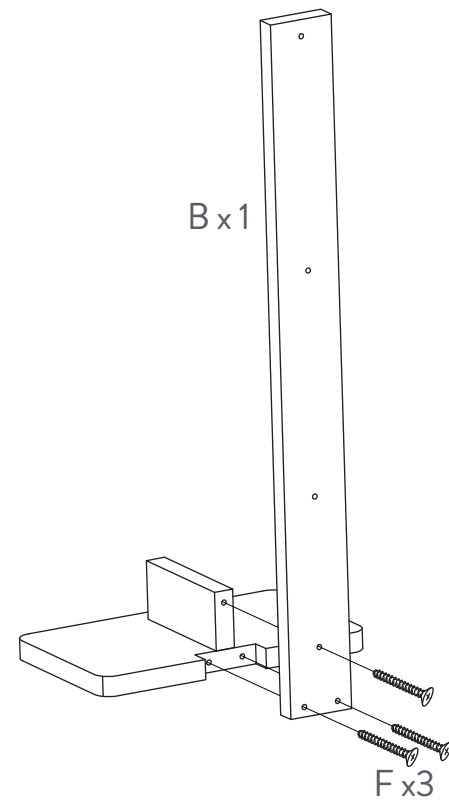
Step 3:



Step 1:



Step 2:



Step 4:

